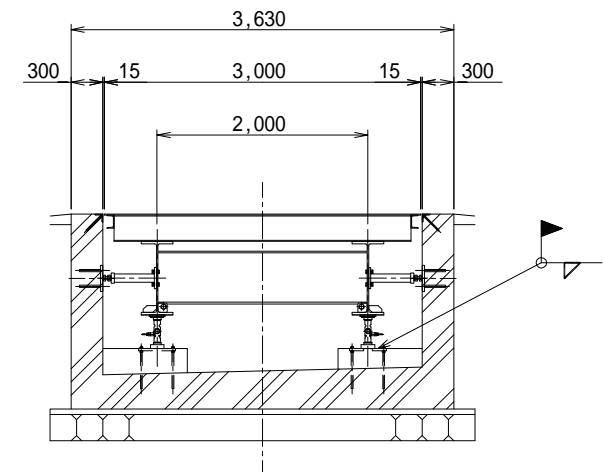
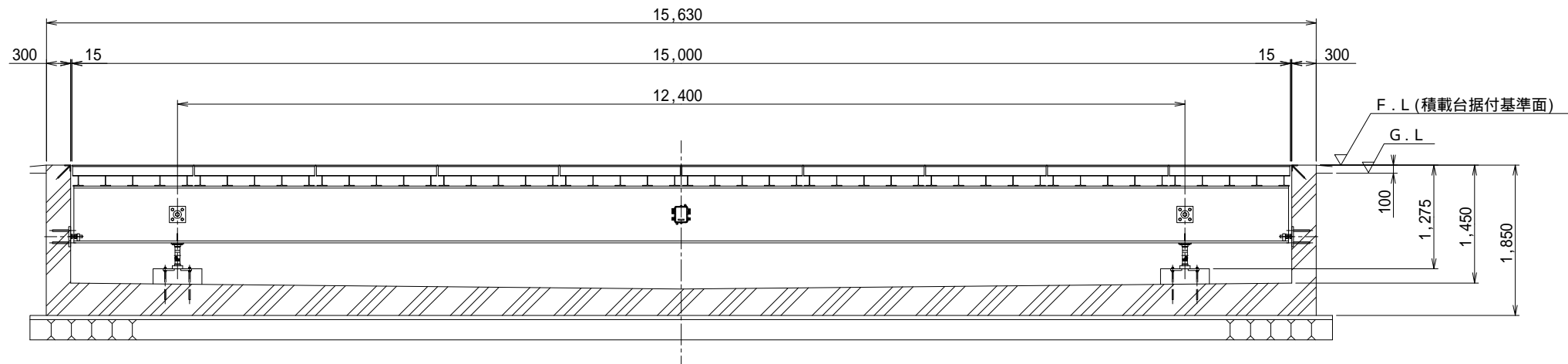
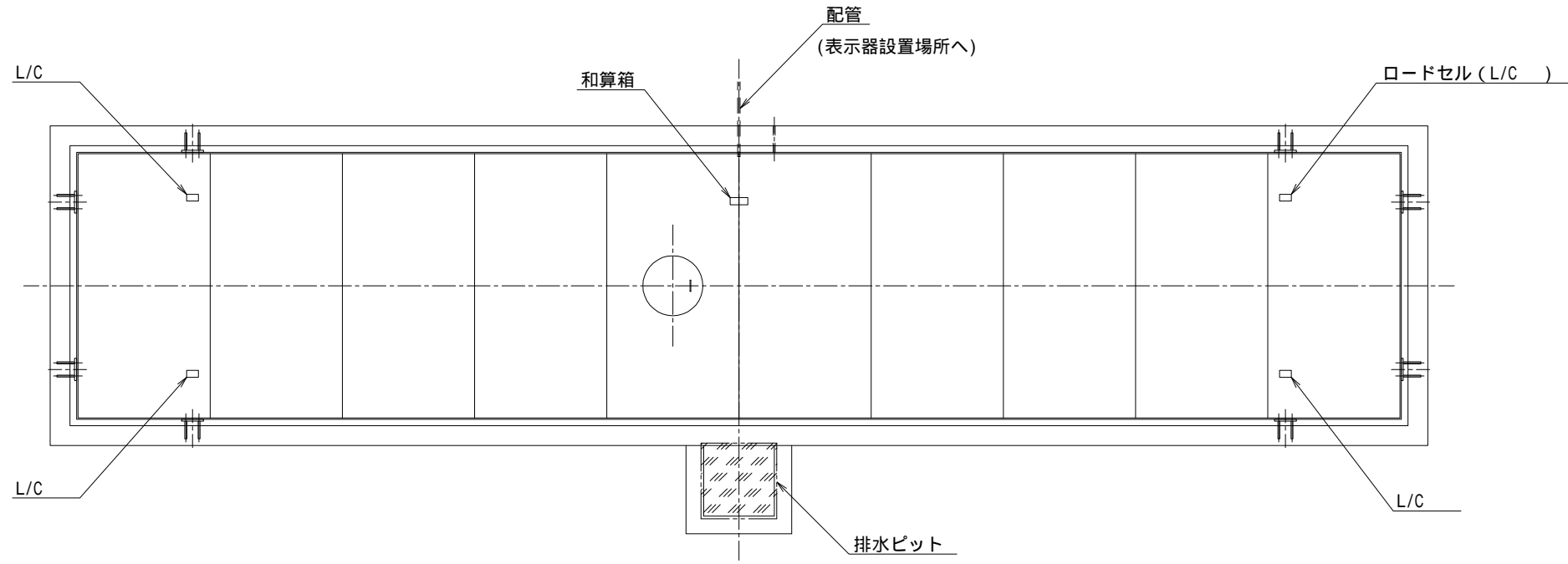


| ITEM | DWG. NO. | NAME OF PARTS | SIZE | MATERIAL | UNIT | MASS | REMARKS |
|------|----------|---------------|------|----------|------|------|---------|
| | | | | | | | |



| | | | | |
|----------------|------------|-------------------------|-------|----------------------------|
| APPROVED | CHECKED | DESIGNED | DRAWN | TITLE |
| 平川 | 河原 | 岩本 | | KMT 8 - 15030 - 3 トラックスケール |
| | | | | 組立図 |
| DATE '00.10.18 | SCALE 1:50 | JFE Advantech Co., Ltd. | | DRAWING NO. DA 2 - 5543 |

| MARK | REVISION | DATE | REVISED | APPROVED |
|------|----------|------|---------|----------|
| | | | | |